

INSTRUCTIONS FOR INSTALLING CHAIR BACK SWITCHES

MEMBRANE SWITCHES

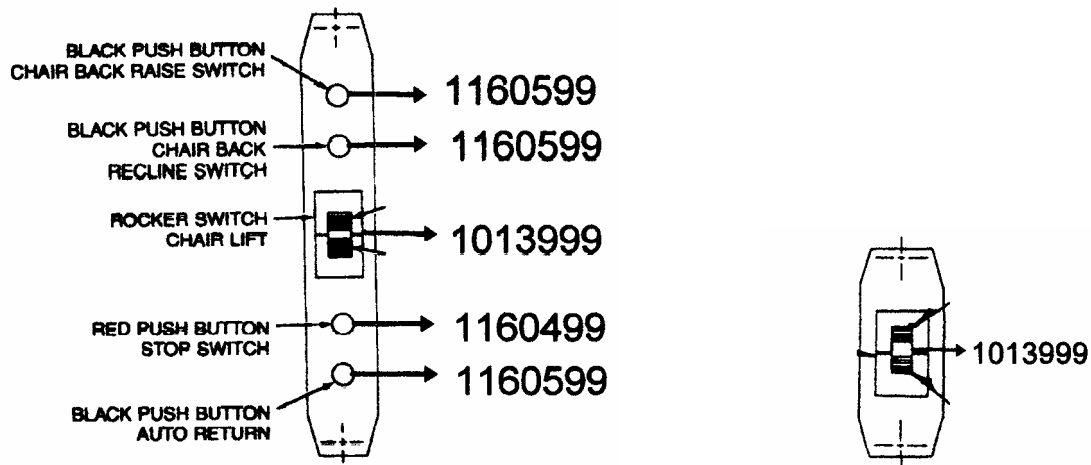
Description: Membrane switches are panels with two terminals one is an input and one is an output. Each panel is the same, so there is no left or right designation.

Installation:

- Membrane switches are anchored at the top and bottom of the panel, with wood screws into the upholstery. Removing the upholstery or painted back is not required.
- On one switch power from the base is attached to the input (bottom) terminal, and ribbon cable to the output (top) terminal. The ribbon travels across the chair to the input (bottom) terminal of the other panel. **Red strand on ribbon cable assemble plugs into the #1 terminal on the panel.**
- Attaching the terminals from the input cable or ribbon cable incorrectly will not harm chair, however chair will not operate properly.

MECHANICAL SWITCHES

Until 1994 all Reliance chair tops were equipped with mechanical switches. Switches are no longer available (except the 101399 and 880 switches, see manual)



SWITCH PANEL 7000, 980, 7100

SWITCH PANEL 6200, 920, 6100

Access to all switches requires removing upholstery or painted back panels. Spade connectors are used to connect all wires to switch terminals. The following instructions are instructions for access to switches by model.

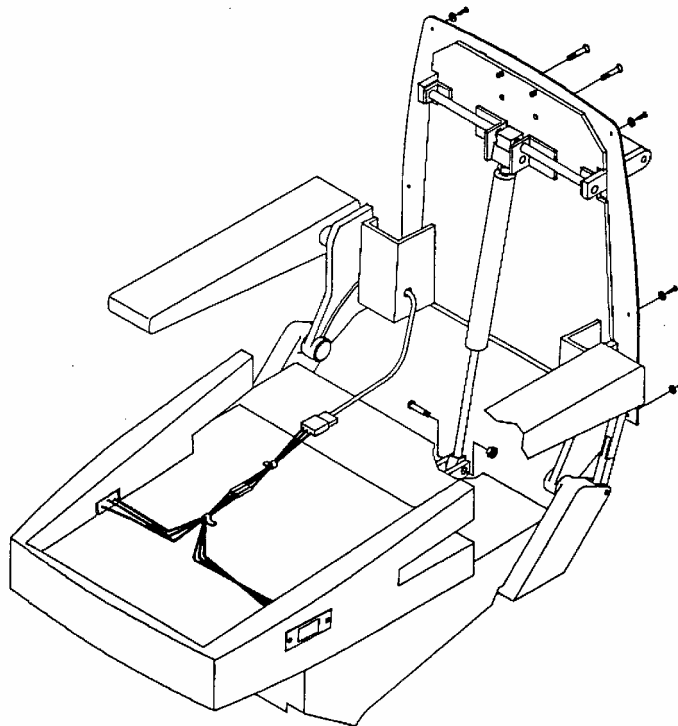
INSTRUCTIONS FOR INSTALLING CHAIR BACK SWITCHES

980, 7000, 880, 7100

1. Unplug chair power cord.
2. Remove headrest.
3. Remove four screws holding headrest mounting bracket to chair back. Note and retain four spacer washers located between the bracket and painted back.
4. Remove the screws located around the perimeter of the back, and remove back.
5. Switches can now be accessed.

6200

1. Refer to owner manual chair top assembly drawings for item numbers.
2. Loosen cap screw in base of headrest and remove headrest.
3. Loosen (do not remove) three (3) screws in side plate assemblies (left and right) – (items #9 and #10)
4. Remove six (6) Phillips head screws and finishing washers in back cover.
5. Remove two (2) bottom screws in headrest bracket (item 15) (**DO NOT LOOSEN TOP 2 SCREWS**).
6. Slide back upholstery straight up until clear, then lay it on the seat (see picture below).



INSTRUCTIONS FOR INSTALLING CHAIR BACK SWITCHES

FX920

1. Raise chair base to maximum height.
2. Remove headrest.
3. Remove headrest bracket, and spacer located behind bracket.
4. Pull off upholstered back.
5. Remove small Philips head screws located at the top of plastic back cover (2) and one located on each side of the back.
6. Gently pull back and remove cable from patient's left hand switch assembly, bottom terminal.
7. Remove back.
8. Remove nuts and screws holding panel on plastic back.
9. Replace switch.
10. Reassemble back.