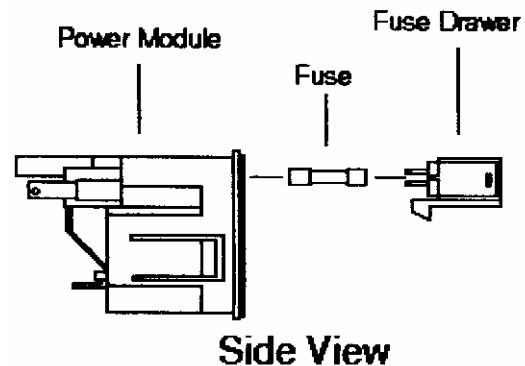
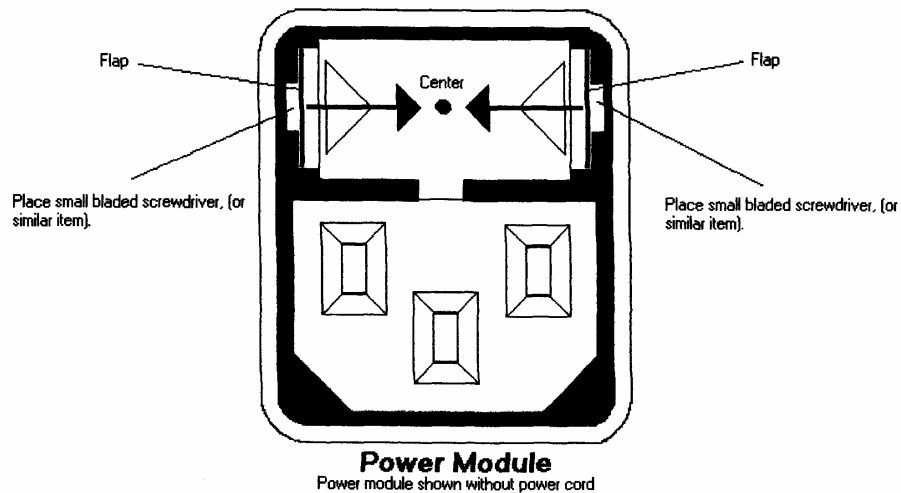


# Fuse Drawer Removal



Method for removing fuse drawer:

1. The fuse drawer is located above the power cord.
2. Remove the power cord.
3. Place a small bladed screwdriver into appropriate slot (shown above) and push the flat spring towards the center of the power module until a click is heard. (Click may not be heard in all cases.) The drawer will come forward slightly.
4. Repeat step 3. on the other side of the fuse drawer.
5. Once both flaps have been pushed towards the center, the drawer will extend slightly beyond the power module.
6. Remove the drawer by pulling it out by your fingers. **CAUTION: NEVER INSTALL THE DRAWER INTO THE POWER MODULE WITHOUT FUSES.**