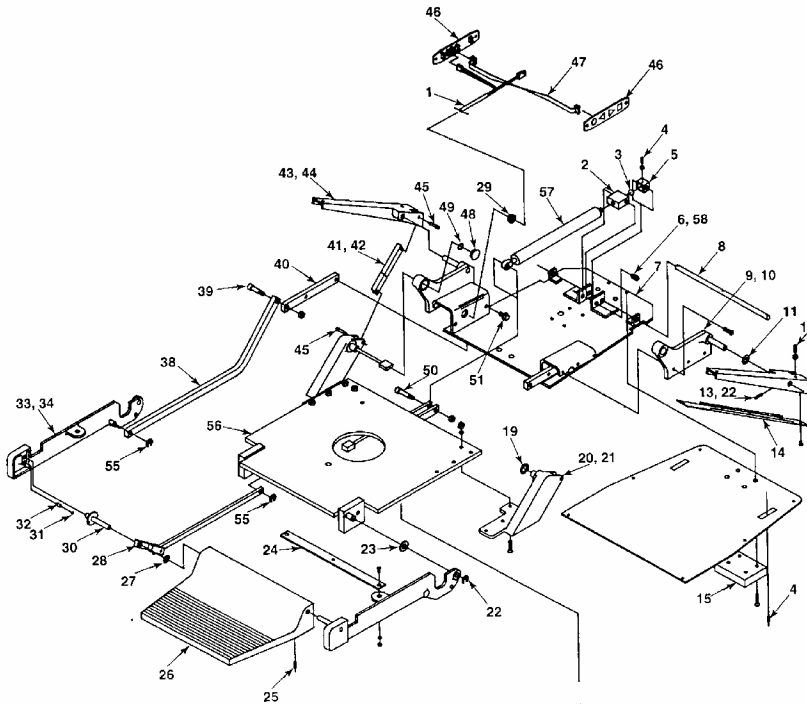


REMOVING 6200 CHAIR TOP

1. Locate and remove slot headed screw holding upholstered seat to seat plate. This screw is located toward the front of the seat plate (item 56).



2. Remove shoulder screw (item 50) from seat support (item 56).
3. Remove four bolts that run thru the seat support and seat plate.
4. Lift the chair top up slightly and move the side so the apron control link (item 38). Once the link clears move top to opposite side and remove top. **Note: It is recommended that two individuals lift and remove chair top.**
5. Loosen the set screw from the lock nut at the center of the base assembly (see illustrations below)



REMOVING 6200 CHAIR TOP

6. Turning the nut counter clockwise remove nut from key shield.



7. Remove seat support by pulling up and off of base assembly.