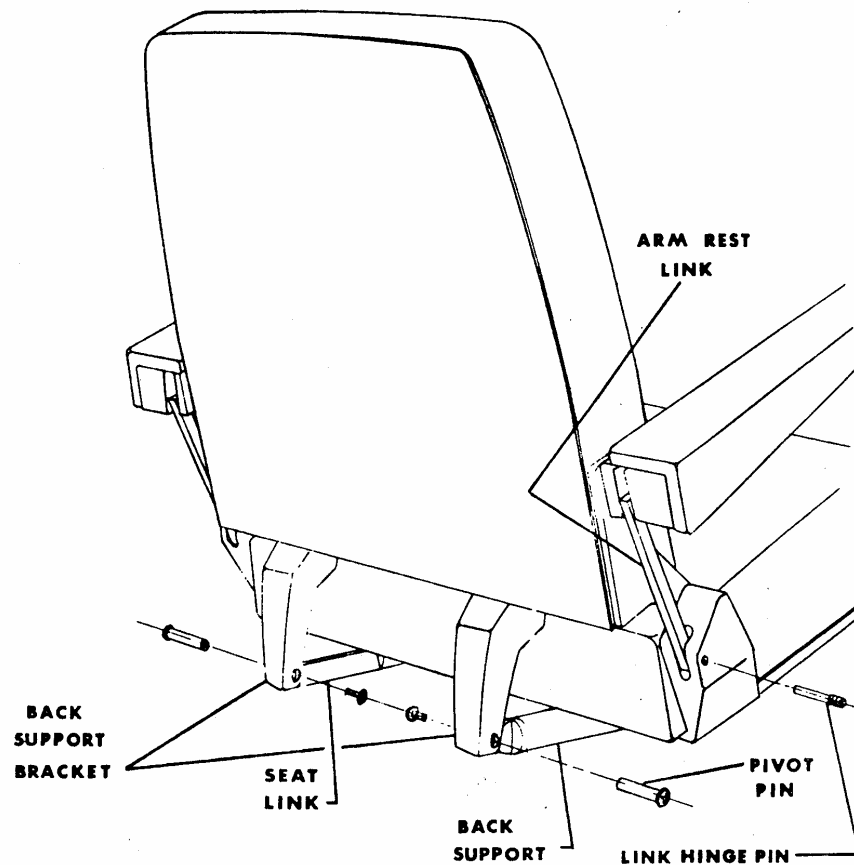


INSTRUCTIONS FOR REPLACING NUT TUBE ASSEMBLY (BACK SUPPORT)



1. Remove one of two screws from the pivot pin holding the back support (nut tube) to the back bracket.
2. While supporting the back of the chair tap the pivot pin out.
3. Unscrew the back support (nut tube) from the actuator (back recline motor).
4. Operate the actuator to raise the back until the motor shuts off.
5. Start the new back support (nut tube) on the actuator four full turns.
6. Lift chair back so that the back support bracket lines up to the back support (nut tube).
7. Insert pivot pin and retaining screw.
8. Check to see that approximately $1/8^{\text{th}}$ inch clearance exists between the front of the seat support and the junction of the push rod and apron link on patient's left hand side. If clearance does not exist remove pivot pin and turn $1/2^{\text{th}}$ turn clockwise or until proper clearance is achieved.
9. Operate chair top through extreme limits of travel to check operation and limit switches. **Note: If motor fails to shut at the end of the recline function refer to *Instructions for adjusting limit switch.***