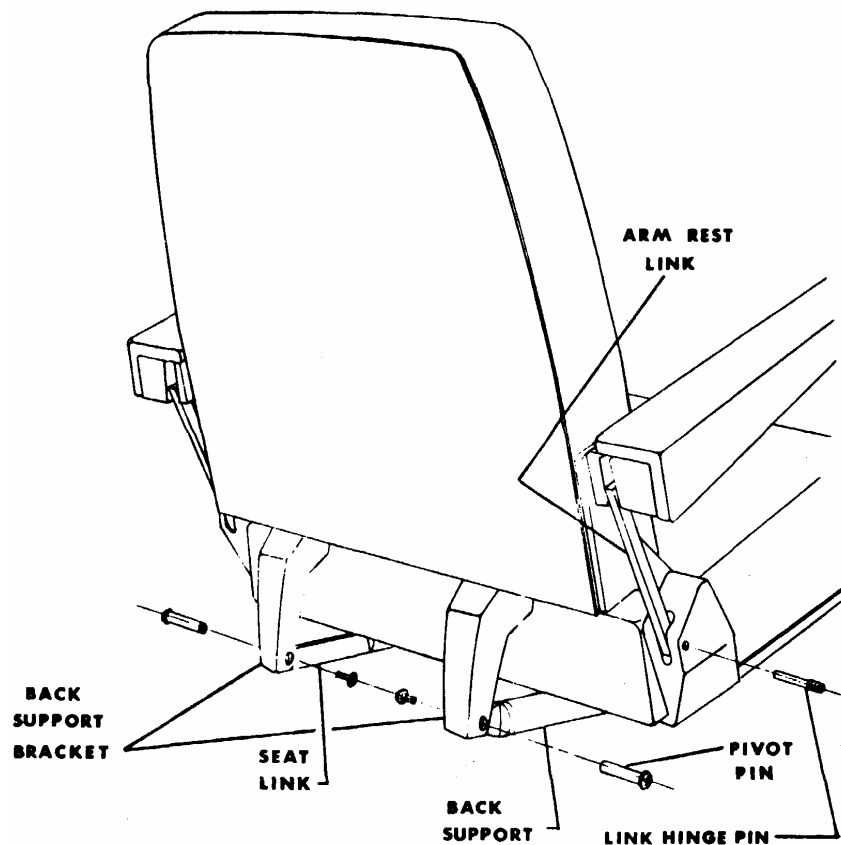


INSTRUCTIONS FOR INSTALLING CHAIR TOP 980, 7000, 710, 880

1. Keeping the chair in a folded shape and place on top of seat support.
2. Insert four bolts thru seat support into chair top and tightened, but not fully.
3. Raise the chair back until the back support member will engage the back support bracket.
4. Rotate chair seat slightly on the seat support member as necessary to allow back support member to enter slot in back support bracket freely, without binding.
5. Engage back support member with back support bracket and insert pivot pin and pin retaining screw. Similarly reconnect seat link at rear of chair and apron link at front of chair.
6. Reconnect electrical connections.
7. Recline the chair and return the chair from reclines several times to align chair top.
8. Fully tighten the four bolts.



TOP ASSEMBLY - MODEL 880