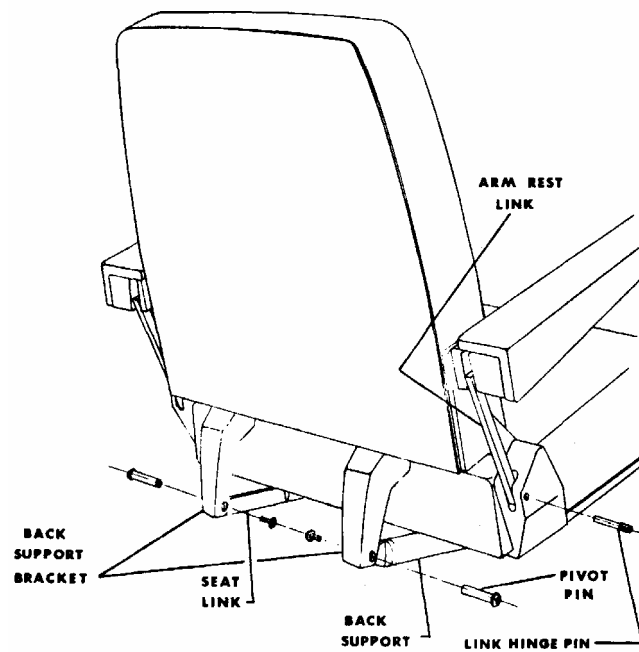


INSTRUCTIONS FOR ADJUSTING ROTATION OF 980, 880, 7000, 710

1. Elevate chair to maximum height. Return chair top to full upright position.
2. Disconnect power cord from outlet.
3. Locate standard head screw located under the seat in front of the seat support, and remove.
4. Disconnect all electrical connections and remove grounds.
5. Remove one retaining screw from seat link pivot pin located on the patient's left hand side (see illustration below) and remove pivot pin.

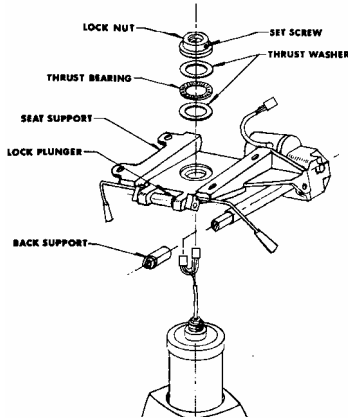


TOP ASSEMBLY - MODEL 880

6. Remove one screw from back support pivot pin located on the patient's right hand side and while supporting back remove pin (see illustration above). Gently lay chair back forward until supported by arm rest links. **IMPORTANT** – Do not rotate the back support member as much as a half a turn since this will alter the chair top configuration at the extreme limits of travel and possibly damage parts of the top assembly.
7. Remove four bolts holding the chair top to the seat support using a 9/16" socket wrench.
8. Remove chair top and lay chair on floor on its side in the folded position.

INSTRUCTIONS FOR ADJUSTING ROTATION OF 980, 880, 7000, 710

9. Loosen the set screw from the lock nut at the center of the base assembly (see illustrations below)



10. Turn the nut counter clockwise to remove drag from the rotation of the seat support. However make sure there is no shake in the seat support, and a little drag is preferred since the weight of the chair lessens the drag.



11. Tighten set screw.
12. Reassemble the chair.