

# INSTRUCTIONS FOR REMOVABLE CUSHIONS FOR 7000, 980, 7100, 710

## APRON CUSHIONS

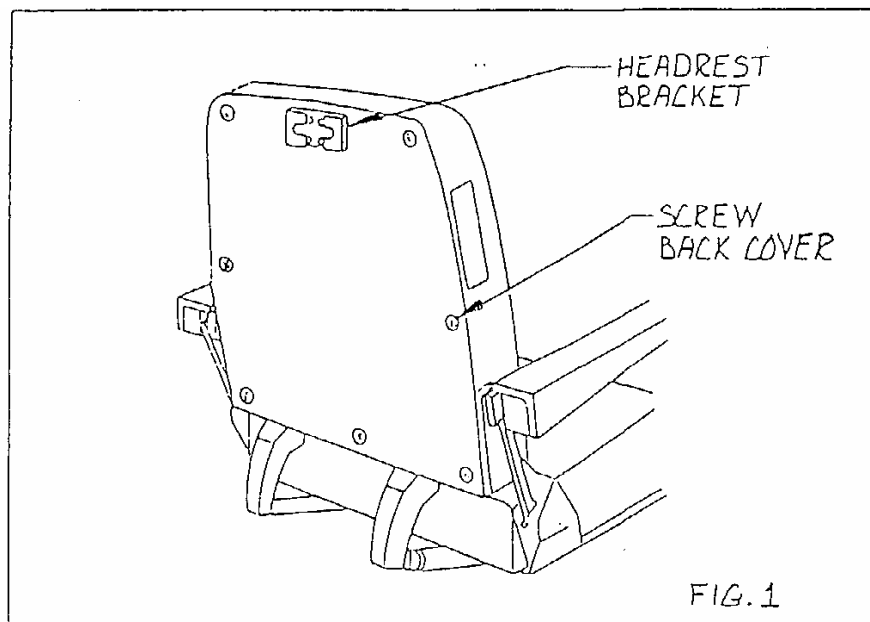
1. Remove screw located in the center of the apron cushion on the back side.
2. Remove apron cushion by pulling evenly on both sides (or top and bottom).

## SEAT CUSHION

1. Remove screw located near the front edge in the center.
2. Located at the rear of the seat cushion is a skirt, pull upward on each end of skirt until Velcro fasteners are separated.
3. Lift upward on the seat cushions sides, and then pull out.

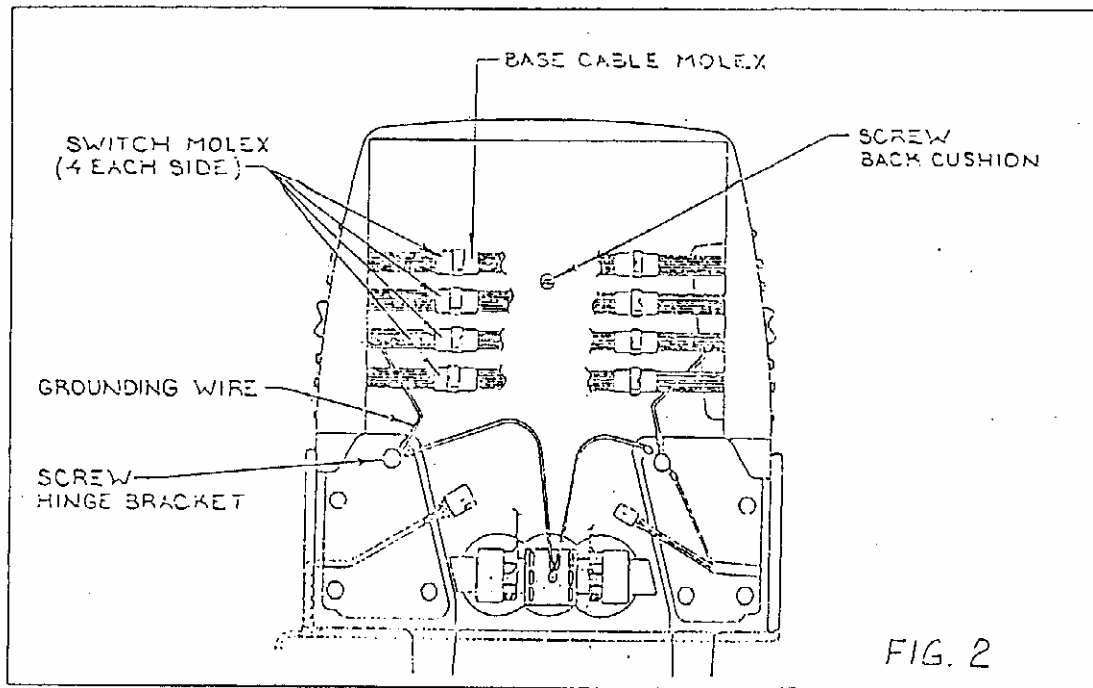
## BACK CUSHION

1. Remove headrest assembly by loosening headrest bracket screw, then lift upward.
2. Remove headrest bracket by removing 4 screws (see figure 1).
3. Remove back cover by removing seven screws (see figure 1).



## INSTRUCTIONS FOR REMOVABLE CUSHIONS FOR 7000, 980, 7100, 710

4. Disengage left and right hand switch assemblies from the back harness assembly by pulling apart the 4 plastic connections on each switch assembly (see figure 2).
5. Remove grounding wire connections by removing 1 hinge bracket screw on each side (see figure 2).
6. Remove screw located near the center of the back cushion (see figure 2).



7. To remove the back cushion, carefully pull on the sides towards the footstep, care must be taken not to damage the switches and wires.

### FOOTSTEP PAD

1. Carefully insert a screw driver between pad and footstep, and then pry upward on pad until Velcro fasteners are separated.