

INSTRUCTIONS FOR REMOVING AND INSTALLING SLIT LAMP ARM WITH HAND RELEASE LEVER

**CAUTION: DISCONNECT MAIN POWER PLUG FROM WALL RECEPTACLE
BEFORE SERVICING FLOOR UNIT.**

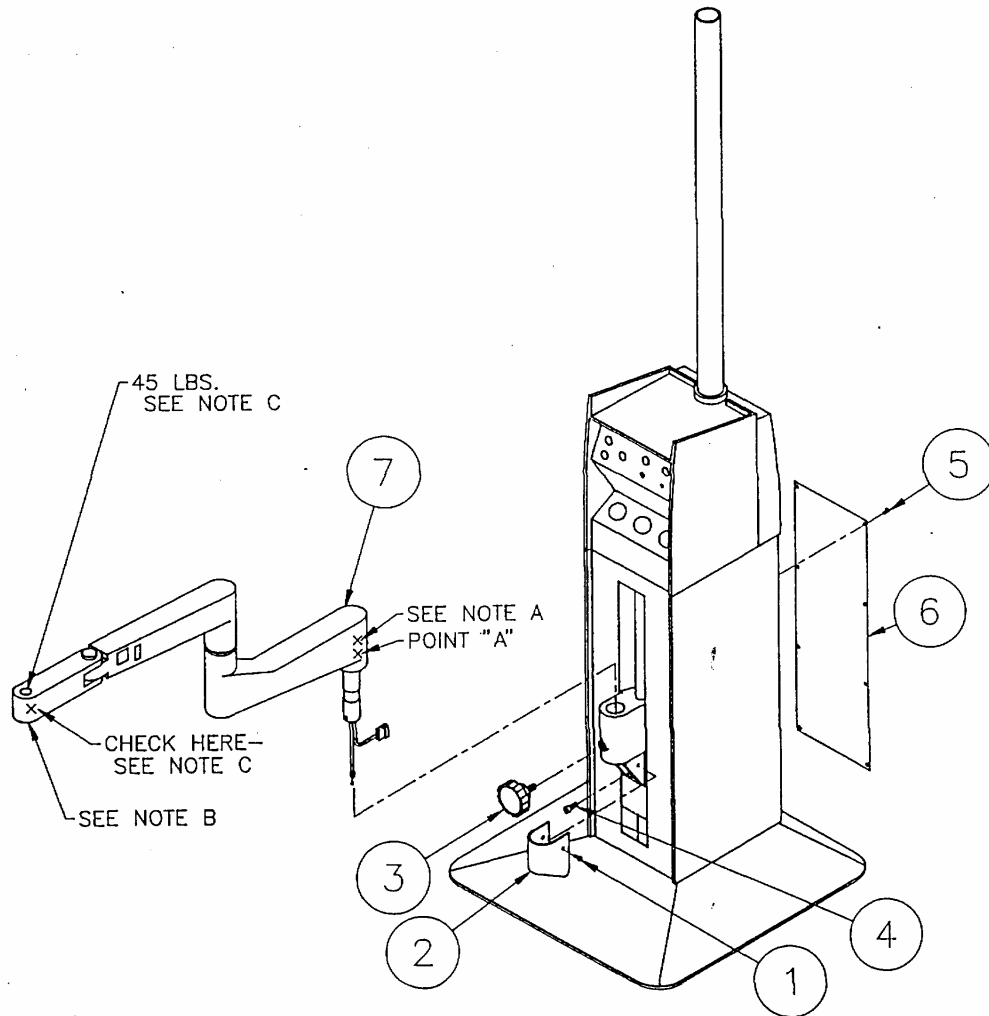


FIGURE 1

1. Using Phillips screwdriver remove item 1 {figure 1} (machine screw #10-24 x3/8) from the plastic lock cover. *Note: some covers are held on by two screws and some with four screws.*
2. Remove item 3, hand wheel {figure 1} by hand rotating counterclockwise.
3. Remove item 2, lock cover {figure 1}.
4. Remove item 4 {figure 1} (socket head cap screw) using a 3/16" Allen wrench.
5. Using Phillips screw driver, remove 8 item 5 (#8-32x3/8) back cover screws.
6. Remove back cover.

INSTRUCTIONS FOR REMOVING AND INSTALLING SLIT LAMP ARM WITH HAND RELEASE LEVER

WARNING: BEFORE SERVICING INSIDE OF FLOOR UNIT, ENSURE THAT SLIT LAMP IS RAISED TO FULL HEIGHT POSITION.

WITH CHAIR CONTROL SWITCH

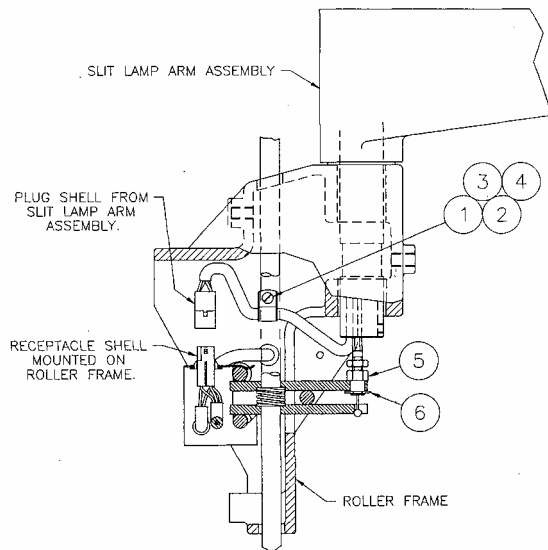


FIGURE 2

WITH OUT CHAIR CONTROL

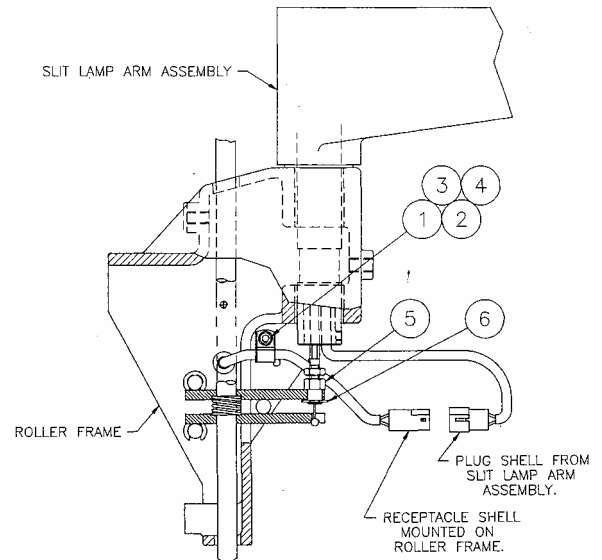


FIGURE 3

7. Rotate item 6 {figure 2}, retaining ring to expose slots. Using square slotted blade screwdriver, pry "E" retaining ring from item 5 {figure 2} lock cable.
8. Squeeze the two lock shoes together and slide the ball in the release cable item 6 {figure 2} from the bottom shoe.
9. **(WITH CHAIR CONTROL)** Reach into the back of the floor unit and disconnect male shell plug in slit lamp arm from female shell plug mounted in roller frame assembly.
10. Using 3/8" open end wench and square slotted blade screwdriver Remove item 1 {figure 2}, locknut and item 2, machine screw.
11. Remove washer and cable clamp.
12. If shell plugs are twelve pins shell, use pin extractor to remove shell from pins .
13. Gently pull the slit lamp arm assembly item 7 {figure 1} out of roller frame.
9. **(WITHOUT CHAIR CONTROL)** Find opening in slit lamp arm in lower arm closest to the roller frame assembly. Pull out cable. Locate two pin shells located up in arm, gently pull down on shell plugs while pushing downward on cord loop until plugs clear slit lamp arm {see figure 3}. Disconnect plug.
10. Gently pull the slit lamp arm assembly item 7 {figure 1} out of roller frame.

To install new arm or to reinstall arm follow steps 13 through 1 in reverse order. **CAUTION: When putting arm into roller frame insure that cable feeds completely through opening before fully seating arm. Not doing so could damage slit lamp arm cable.**

**INSTRUCTIONS FOR REMOVING
AND INSTALLING SLIT LAMP ARM
WITH HAND RELEASE LEVER**