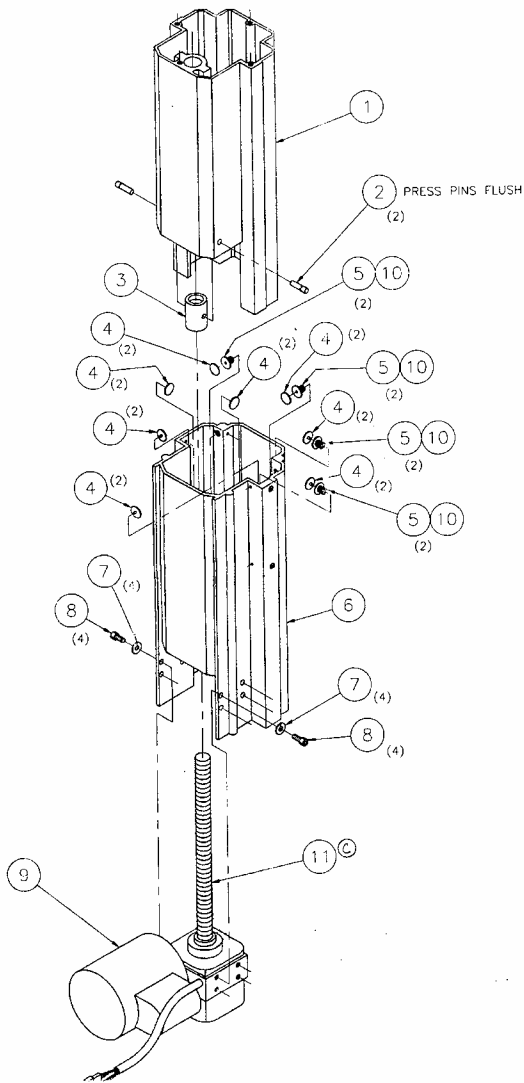


ADJUSTING OF 2000 CHAIR BASE



ITEM	PART NO.	QTY.	DESCRIPTION
1	D-15858	1	BASE COLUMN- INNER
2	A-07628	2	PIN, DRIV-LOK
3	A-0600199	1	ACTUATOR NUT
4	B-16031	16	GUIDE
5	B-16032	8	GUIDE ADJUSTER
6	D-15864	1	BASE COLUMN - OUTER
7	A-07282	8	LOCK WASHER - 1/4
8	A-15122	8	SCKT. H.C.S. 1/4-20 X 5/8
9	D-15736	1	LIFT MOTOR
10	A-15655	.005	ADHESIVE, BOLT LOCKING
11	A-17349	.005	GREASE, SUPER LUBE

1. Adjust the guide adjusters (Item 5) so that the guides are just touching the inner column (Item 1) on all four sides.
2. Turn screw marked II counterclockwise until lift will retract to the point that there is $3/8'' + 1/16''$ between the bottoms of the 2 columns.
3. Run the lift to the full up position, turn screw I on the actuator clockwise until the bottom of the inner column is flush with the bottom of the (7) bottom guides.
4. Tightened the (8) screws (Item 8) mounting the actuator with lift in full up positions.